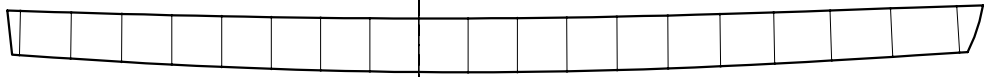
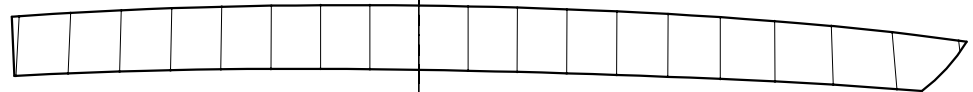


EXPANDED PANELS



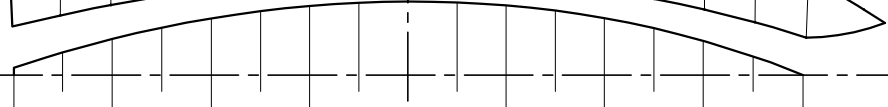
SHEAR PANEL



SECOND PANEL

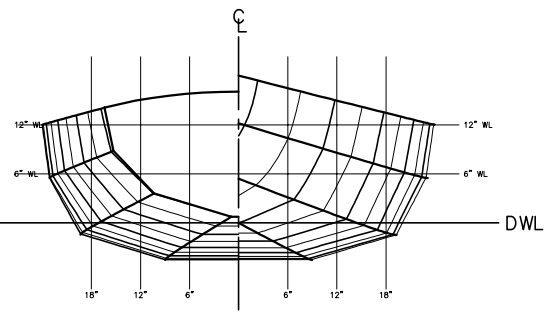
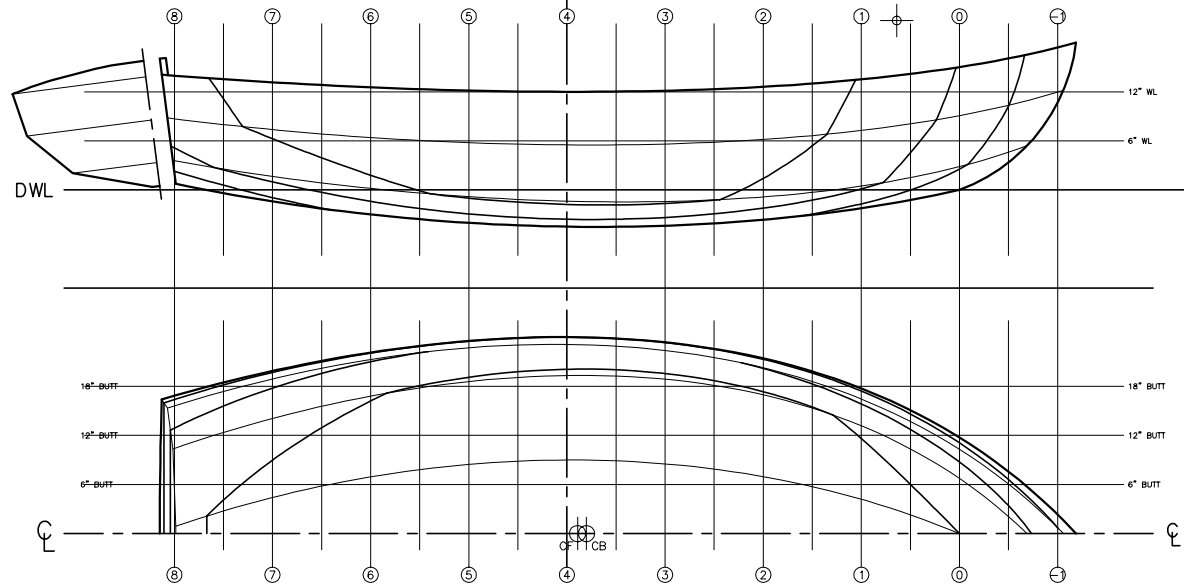


THIRD PANEL



BOTTOM PANEL

PRINCIPAL DIMENSIONS	
LENGTH OVERALL	9' - 6"
DESIGN WATERLINE LENGTH	7' - 8"
BEAM MAX.	4' - 0"
BEAM AT WATERLINE	3' - 4"
DRAFT	4 1/2"
DISPLACEMENT	273 lbs
RIGHTING MOMENT	169 ft.lbs
LONGITUDINAL CENTER OF BUOYANCY	4' - 10"
LONGITUDINAL CENTER OF FLOATATION	4' - 11"
WETTED SURFACE	19.9 ft ²
POUNDS PER INCH IMMERSION	101 lbs/in



MATTHEW SMITH
 NAVAL ARCHITECT
 6 River Oak Road Barrington, RI 02806
 Tel (401) 248-0008

9' Tender LEAKY
 Hull Lines