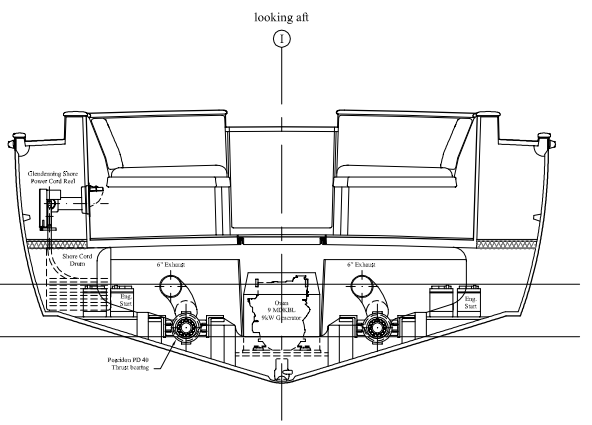
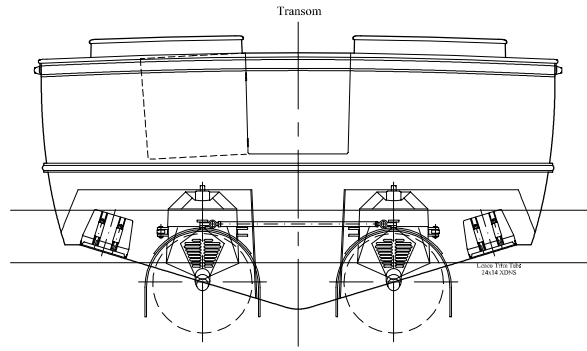
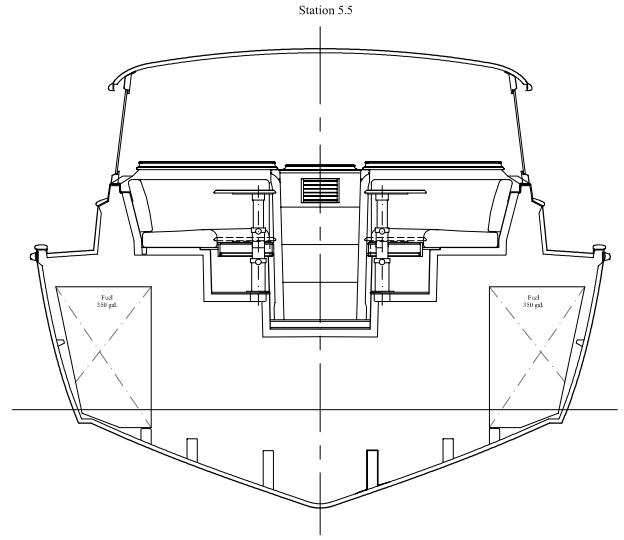
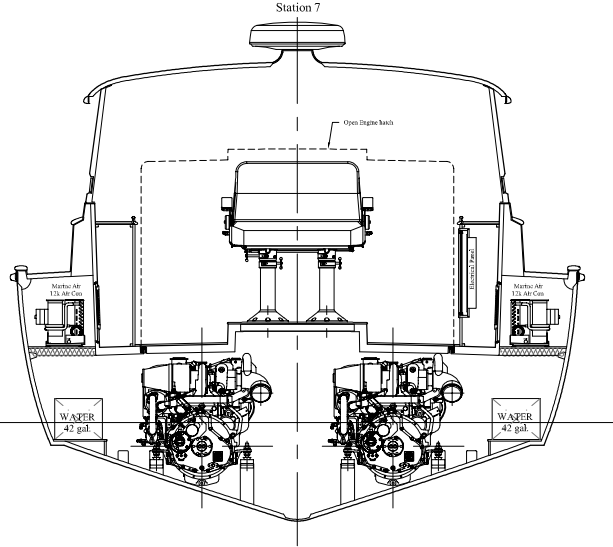
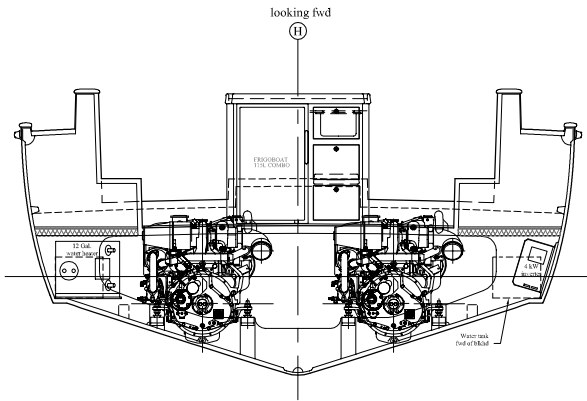
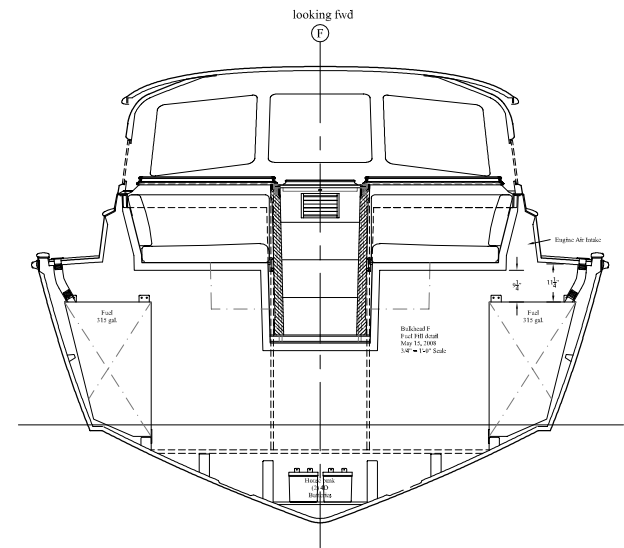
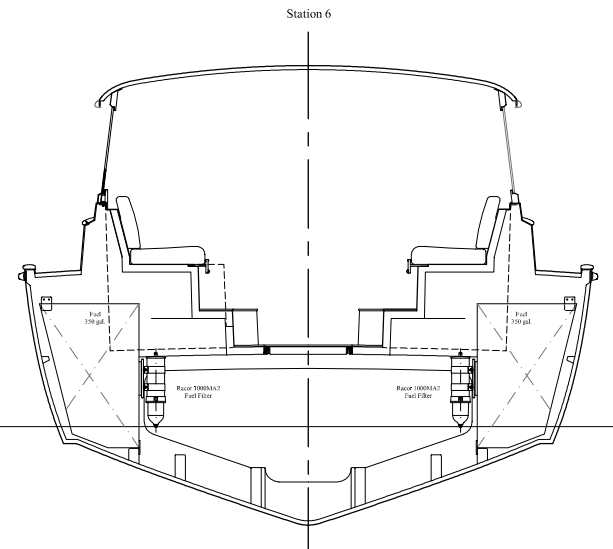
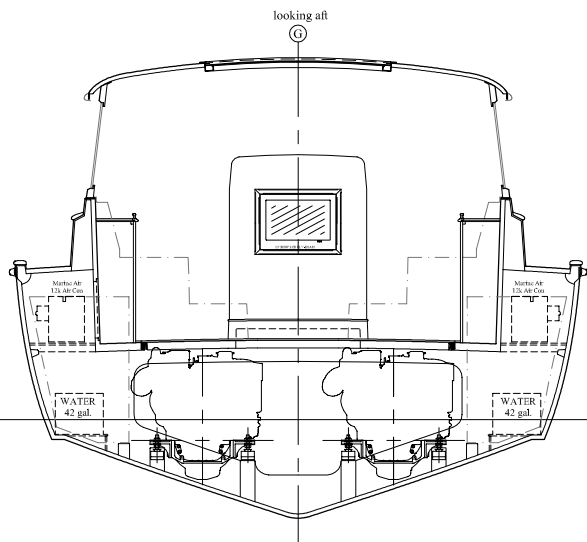


| REVISIONS | | |
|-----------|-------------------|------|
| No. | DESCRIPTION | DATE |
| 1 | Equipment updated | |



| | | | |
|---|------|------|------|
| MATTHEW SMITH NASCAL ARCHITECT A Mechanical Engineering Firm | | | |
| MECHANICAL SECTIONS | | | |
| 1818 | 1818 | 1818 | 1818 |
| 1818 | 1818 | 1818 | 1818 |
| 1818 | 1818 | 1818 | 1818 |