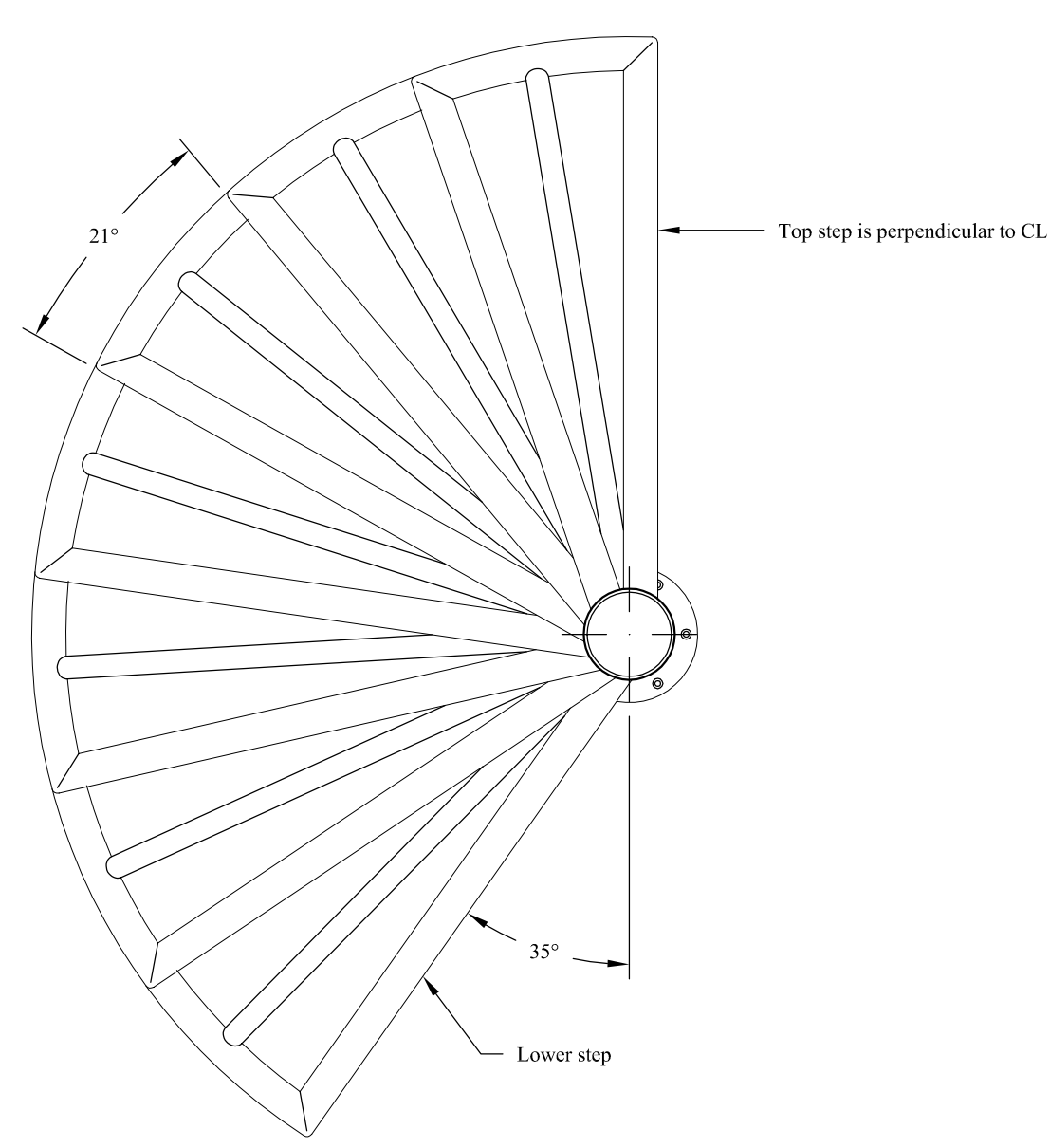
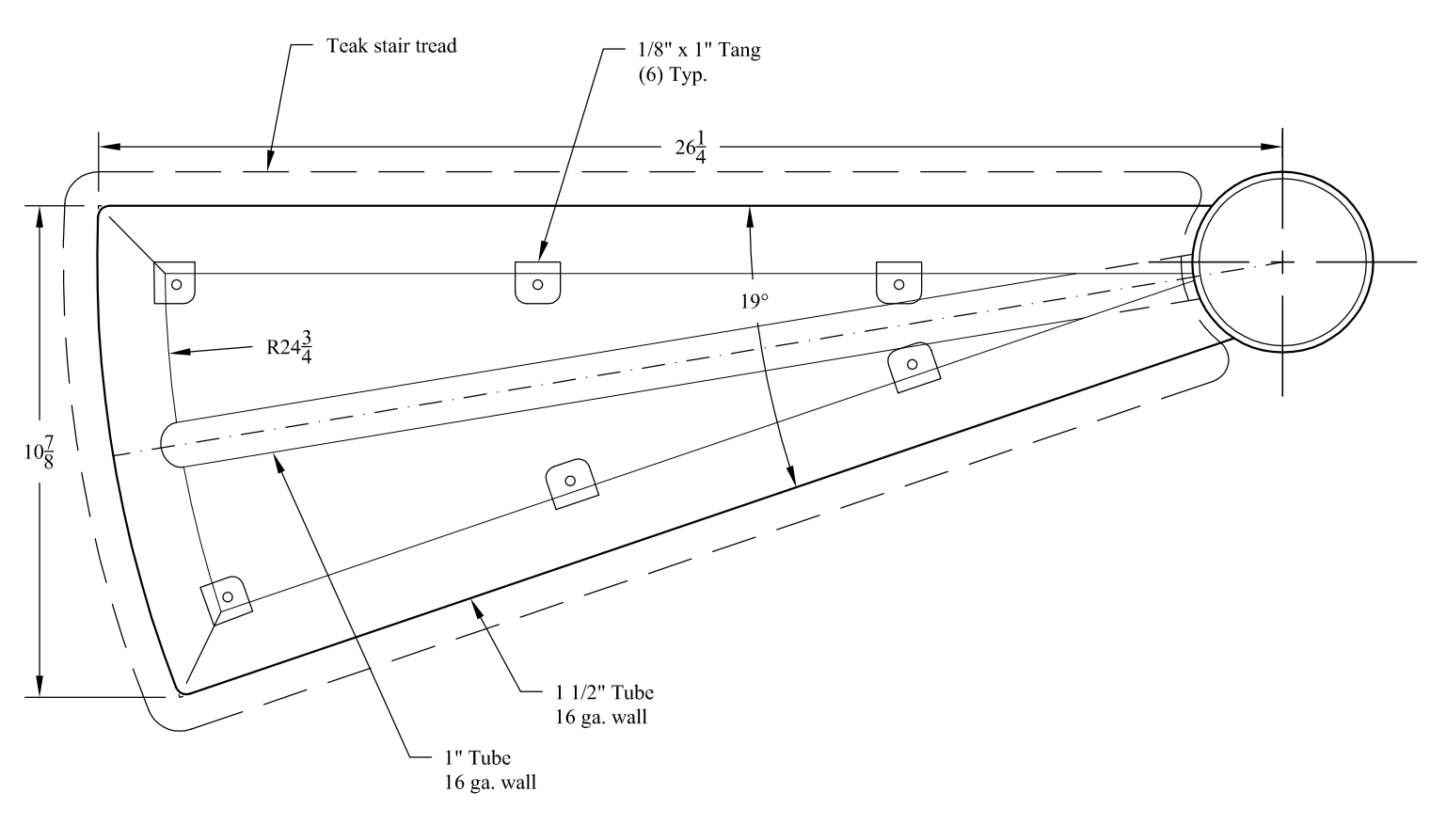
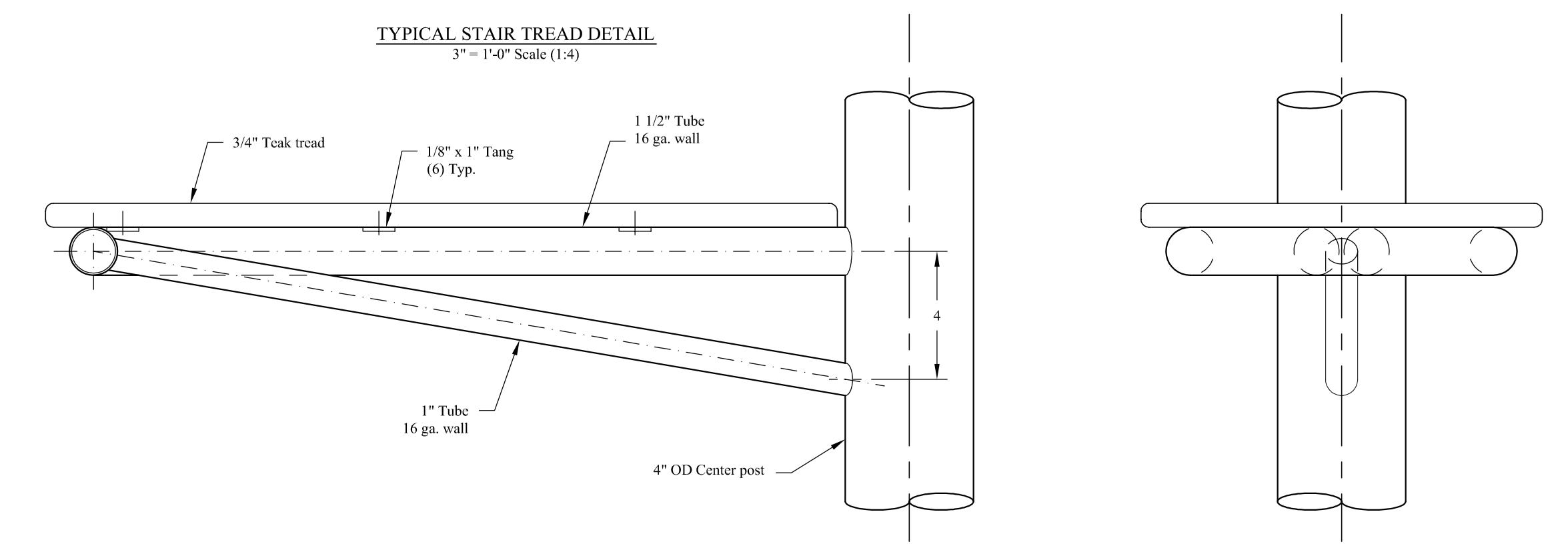
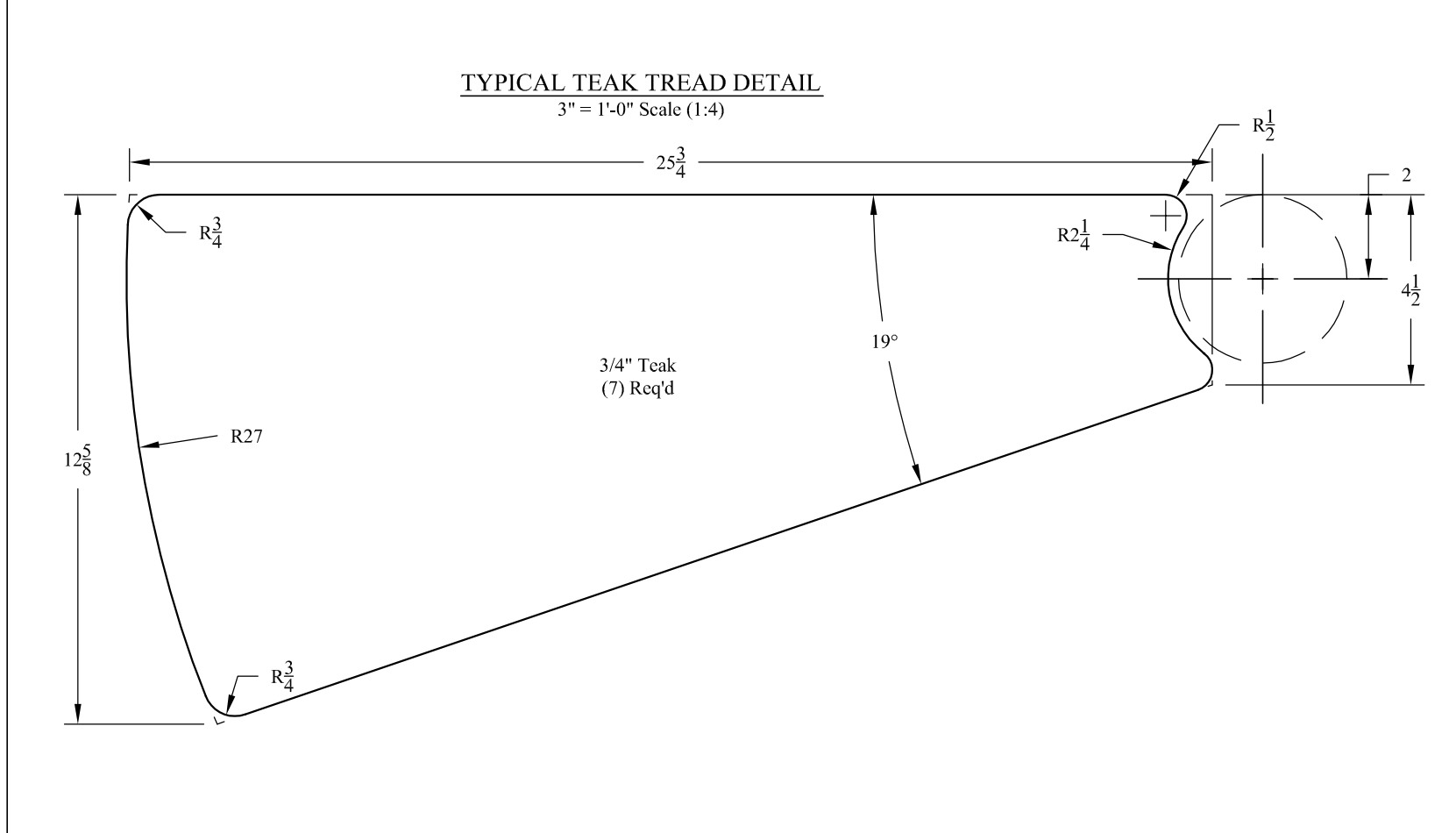
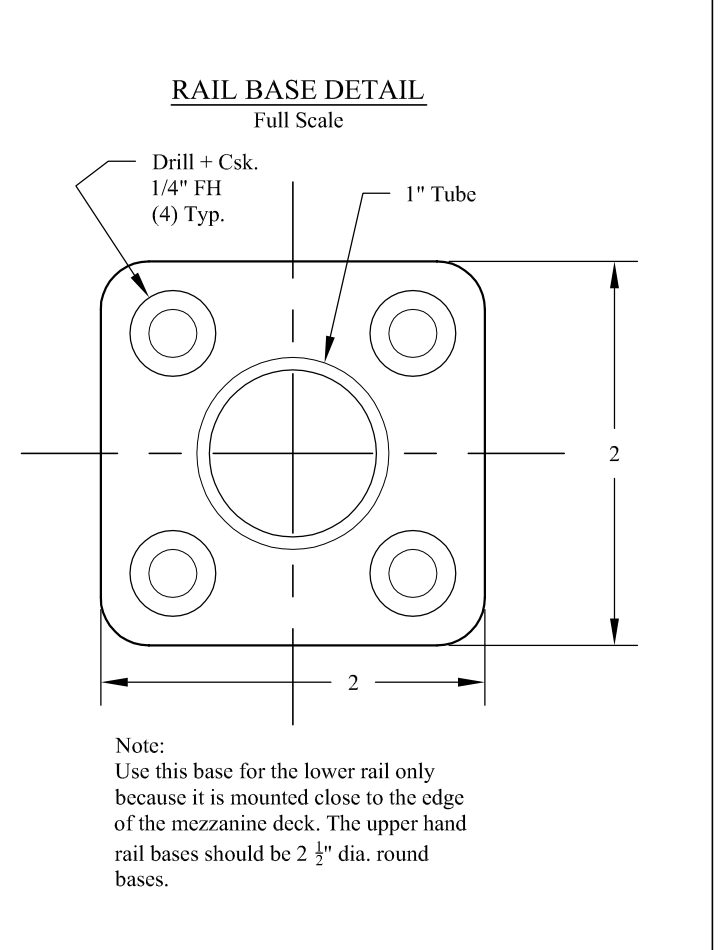
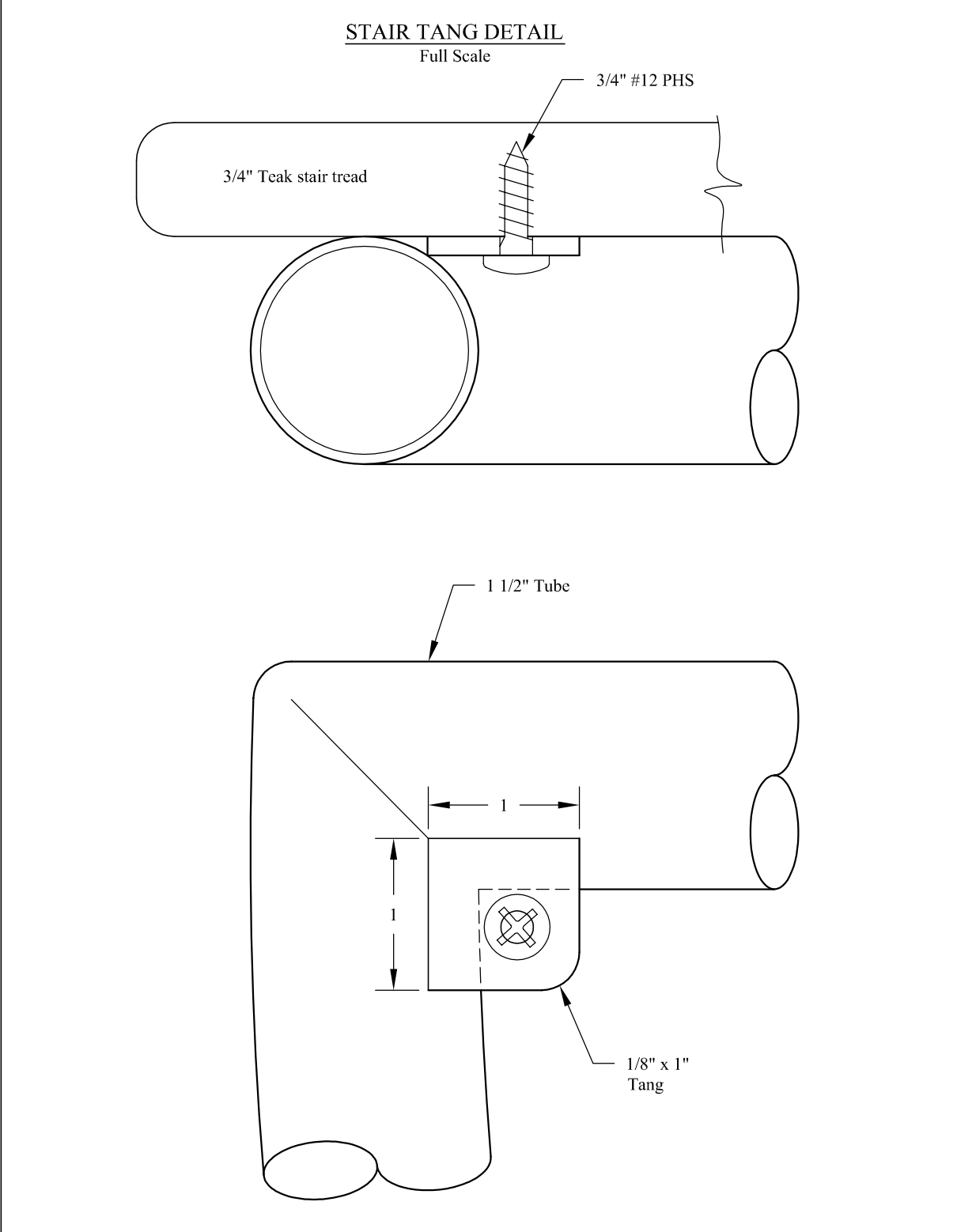
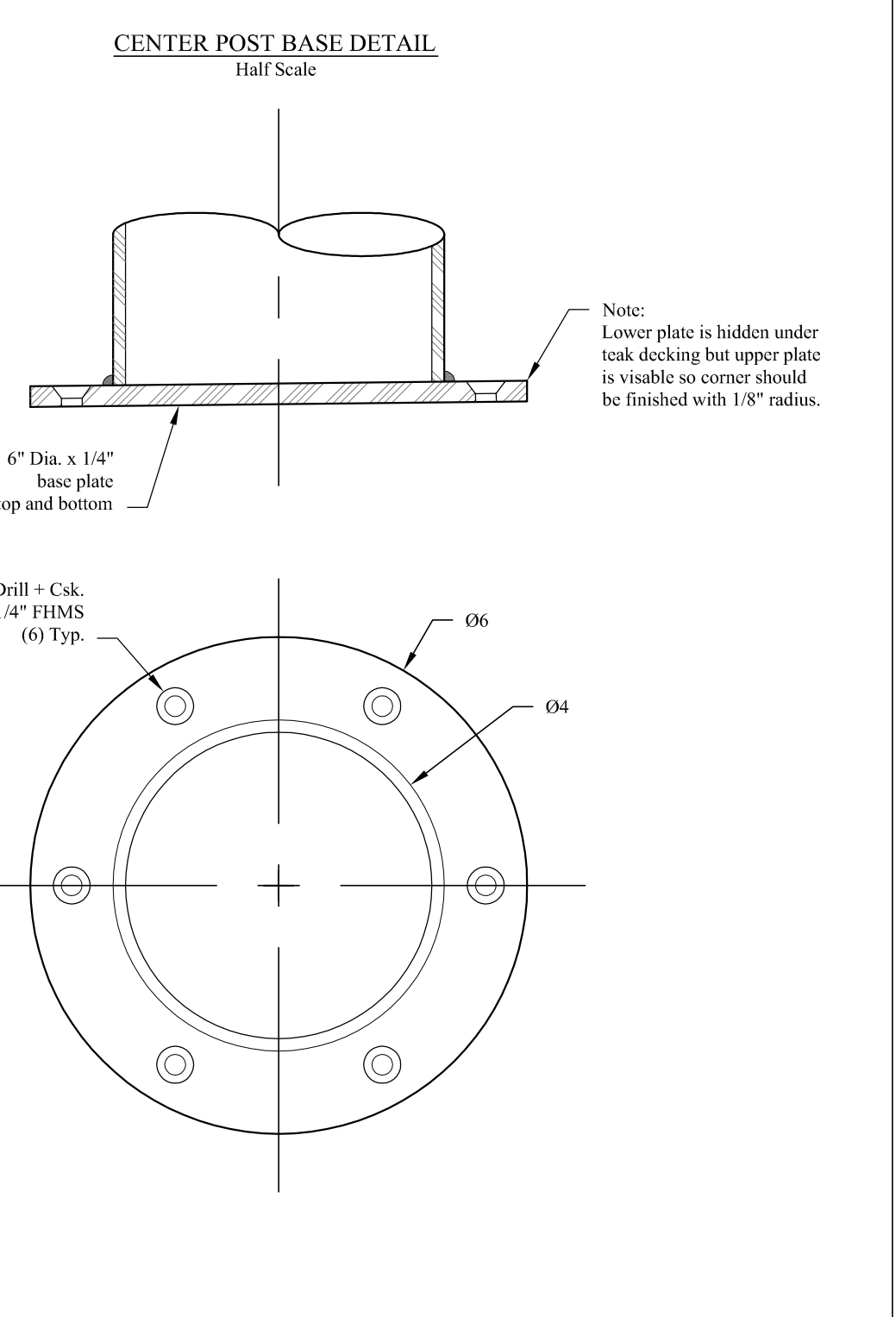
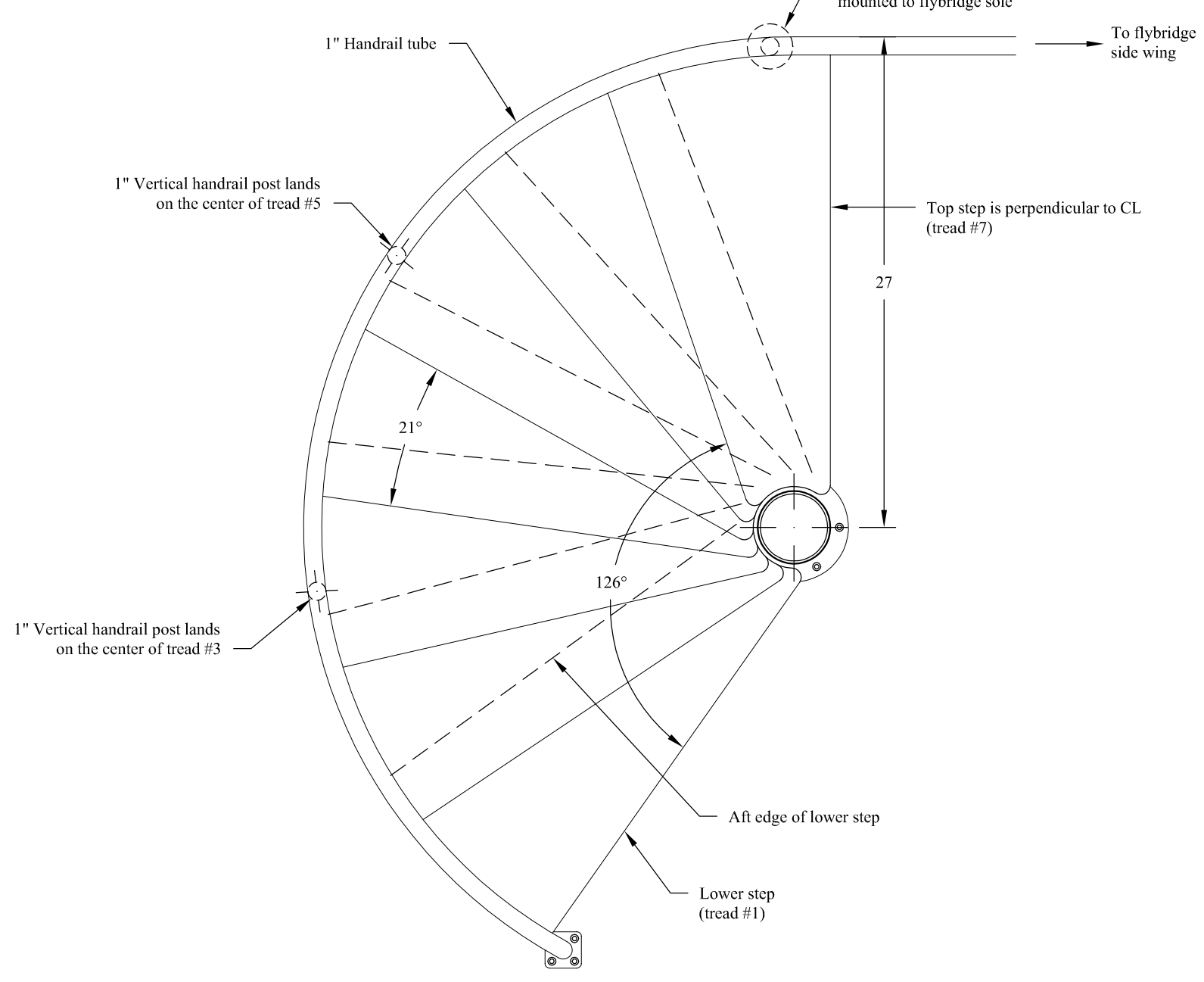


Total stair height is 79".
Each tread is spaced 9 1/2" for eight even intervals.
If actual spacing is not exactly 79",
divide the actual height by 8 for
correct stair tread spacing.

PLAN VIEW
with Treads Removed



PLAN VIEW
with Treads



MATTHEW SMITH NAVAL ARCHITECT 4 River Oak Road Barrington, RI 02806 TEL: (401) 253-0088			
COCKPIT STAIRWAY DETAILS			
FOR The Bryans, 66' Sportfish			
DRAWN BY MS	DATE May 13th, 2008	SHEET 4 of 4	REV 0
SCALE 1 1/2" = 1'-0" (1:8)	DWG. NO. B66-204		